

# Lightology

lightology.com  
866-954-4489  
04-22-26

Project: \_\_\_\_\_

Company: \_\_\_\_\_

Location: \_\_\_\_\_ Fixture Type: \_\_\_\_\_

SPEC #: **VCG1418667**

Approved On: \_\_\_\_\_ Approved By: \_\_\_\_\_

## Ponce Articulating Wall Sconce

By Visual Comfort Signature



### Description

The Ponce Articulating Wall Sconce brings an industrial vibe to your interior space. The angled arm holds a wide triangular shaped, matching metal or glass shade that has a glass globe peeking out, casting warm light down across your room. Arm swing 45 degrees on either side.

### Specifications

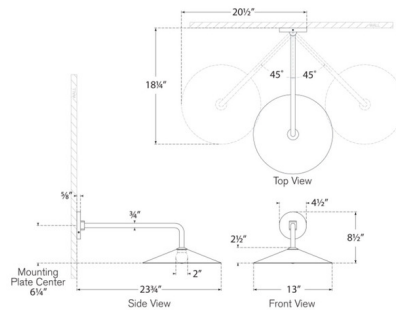
COLOR . . . . . Opal  
 BODY FINISH . . . . . Modern Iron / White Glass  
 WATTAGE . . . . . 5W  
 DIMMER . . . . . Low Voltage Electronic  
 DIMENSIONS . . . . . 13"W x 8.5"H x 23.75"D  
 INTEGRATED LED MODULE . . . . . 1 x LED/5W/120V LED

### Technical Information

LAMP COLOR . . . . . 2700K  
 LUMENS/WATT . . . . . 140.00  
 LUMINOUS FLUX . . . . . 700 lumens



Shown in modern iron / white glass / opal



CLICK TO VIEW PRODUCT

Notes: