

Lightology

lightology.com
866-954-4489
04-24-26

Project: _____
 Company: _____
 Location: _____ Fixture Type: _____
 SPEC #: **VCG1418687**
 Approved On: _____ Approved By: _____

Ponce Linear Pendant By Visual Comfort Signature



Description

The Ponce Linear Pendant brings an industrial vibe to your interior space. The angled arms holds wide triangular shaped, matching metal or glass shades that has a glass globe peeking out, casting warm light down across your room. Sloped ceiling to 30 degrees max. Note: Custom Overall Heights are available. For quotes, please contact our sales team.

Specifications

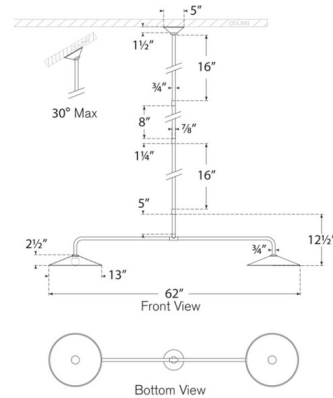
| | |
|-----------------------|-------------------------------|
| COLOR | Opal |
| BODY FINISH | Polished Nickel / White Glass |
| WATTAGE | 20W |
| DIMMER | Low Voltage Electronic |
| DIMENSIONS | 62"L x 13"W x 12.5"H |
| INTEGRATED LED MODULE | 2 x LED/10W/120V LED |

Technical Information

| | |
|--------------------|---------------------------------------|
| PRODUCT DIMENSIONS | Downrods: One 8" and Two 16" Included |
| LAMP COLOR | 2700K |
| LUMENS/WATT | 140.00 |
| LUMINOUS FLUX | 1400 lumens |



Shown in polished nickel / white glass / opal



CLICK TO VIEW PRODUCT

Notes: