

Lightology

lightology.com
866-954-4489
07-01-26

Project: _____

Company: _____

Location: _____ Fixture Type: _____

SPEC #: **MAX1419432**

Approved On: _____ Approved By: _____

Dune Ceiling Light

By Maxim Lighting

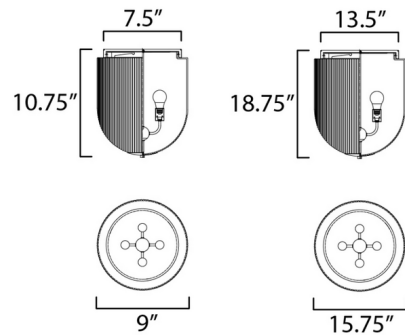


Description

Featuring a concentric, semicircular ribbed glass pattern, the Dune Ceiling Light offers a fusion of nautical design with contemporary flair. The textured glass refracts light, diffusing glare while delivering ample illumination. Metal accents in a matte black finish enhance the modern aesthetic.



Shown in black / clear ribbed



Specifications

COLOR Clear Ribbed
BODY FINISH Black
WATTAGE 9W
DIMMER Standard 120V
DIMENSIONS 9"W x 10.75"H
BULB NOT INCLUDED 1 x A19/Medium (E26)/9W/120V LED



CLICK TO VIEW PRODUCT

Notes: