

Lightology

lightology.com
866-954-4489
05-17-26

Project: _____

Company: _____

Location: _____ Fixture Type: _____

SPEC #: **EDG1419803**

Approved On: _____ Approved By: _____

Din Rail 100W 48V Power Supply

By PureEdge Lighting



Description

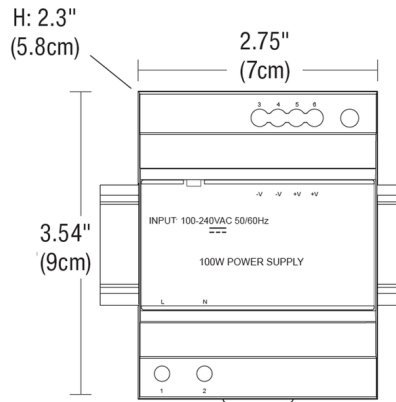
The HDR-100-48 is a compact 100 watt DIN Rail power supply. It's adapted to be installed on TS-35/7.5 or TS-35/15 mounting rails. Adopting the full voltage range of 85VAC-264VAC (operational 277VAC condition). The HDR-100-48 is designed with an insulated housing protecting from electrical shock hazards. Can be remote located up to 100 feet away using WR 14 CL2 BR.

Specifications

COLOR	N/A
BODY FINISH	Black
WATTAGE	100W
DIMMER	N/A
DIMENSIONS	2.75"W x 3.54"H x 2.3"D
BULB NOT INCLUDED	LED/100W/48V LED



Shown in black



CLICK TO VIEW PRODUCT

Notes: