

Lightology

lightology.com
866-954-4489
04-25-26

Project: _____

Company: _____

Location: _____ Fixture Type: _____

SPEC #: **AHM1419966**

Approved On: _____ Approved By: _____

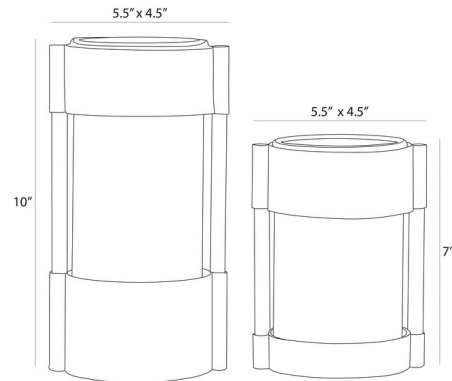
Joseph Vases Set of 2 By Arteriors Home

Description

The Joseph Vases are inspired by equestrian elements. A pair of clear hammered glass vases are suspended in settings of brown leather. Topstitched and held by bronze iron supports, the pair are staggered in height for visual interest. The watertight glass cylinders are removable for cleaning.



Shown in brown



Specifications

COLOR	N/A
BODY FINISH	Brown
WATTAGE	N/A
DIMMER	N/A
DIMENSIONS	5.5"W x 7"H x 4.5"D
BULB	N/A



CLICK TO VIEW PRODUCT

Notes: