

# Lightology

lightology.com  
866-954-4489  
06-04-26

Project: \_\_\_\_\_

Company: \_\_\_\_\_

Location: \_\_\_\_\_ Fixture Type: \_\_\_\_\_

SPEC #: **BOM1420375**

Approved On: \_\_\_\_\_ Approved By: \_\_\_\_\_

## Fragment Linear Pendant

By Bomma



### Description

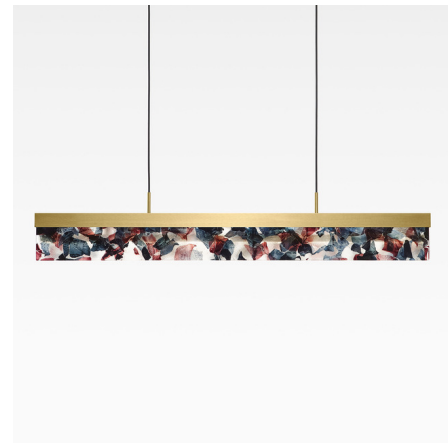
The Fragment Linear Pendant is crafted from a material called Fragmentglass, composed of glass shards which have been melted down in a mold and meticulously hand-cut into rectangles. The shards come from glass pieces that have been rejected by Bomma's rigorous quality control as a way to reuse the wasted material. While imperfections from bubbles or trace elements such as iron are undesirable in some pieces, the Fragments Pendant intentionally showcases their unique variations as a dazzling visual texture. While the ratios of colored glass are carefully controlled, each pendant takes on a one-of-a-kind look due to the unpredictability of the melting process. Fragment is outfitted with a tunable white LED strip, which can be set to warm, relaxing 1850K color temperature to 4000K cool white for concentration and alertness. Note: The ceiling canopy (3.5 inches wide) is too narrow to cover a standard 4 inch US junction box. A smaller j-box such as 2x3 inch is required. Requires additional ceiling support for fixtures weighing over 50 pounds.

### Specifications

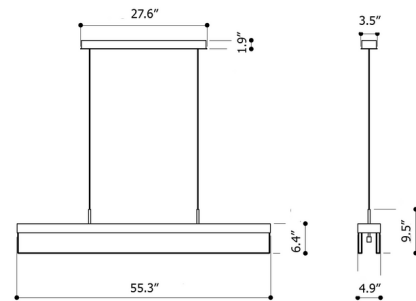
COLOR . . . . . Black Fragmentglass  
BODY FINISH . . . . . Brushed Gold  
WATTAGE . . . . . 96W  
DIMMER . . . . . Standard 120V  
DIMENSIONS . . . . . 55.3"L x 4.9"W x 6.4"H  
INTEGRATED LED MODULE . . . . . 1 x LED/48W/120V LED  
INTEGRATED LED MODULE . . . . . 2 x LED/24W/120V LED

### Technical Information

COLOR RENDERING . . . . . 93 CRI  
LAMP COLOR . . . . . 2000K-4000K Tunable White  
LUMENS/WATT . . . . . 50.00  
LUMINOUS FLUX . . . . . 2400 lumens



Shown in brushed gold / black fragmentglass



CLICK TO VIEW PRODUCT

Notes: