

Lightology

lightology.com
866-954-4489
04-22-26

Project: _____

Company: _____

Location: _____ Fixture Type: _____

SPEC #: **MAN1423289**

Approved On: _____ Approved By: _____

Bob Wall Mounted Light By Michael Anastassiades



Description

The Bob Wall Mounted Light features a teardrop shade, resembling a weight suspended from a string, which is often used as a vertical reference line; a tool for building and measurements. The opal glass shade sits atop a slim triangular bracket. Includes a paintable junction box cover which will cover standard 4 inch junction boxes. The j-box cover (not pictured) extends beyond the fixture and will be visible.

Specifications

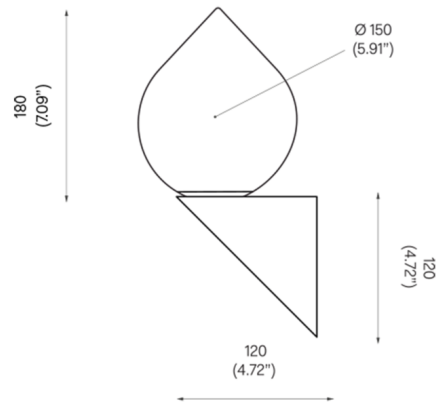
COLOR Opal
BODY FINISH Polished Brass
WATTAGE 3.5W
DIMMER Standard 120V
DIMENSIONS 5.91"W x 11.81"H x 4.72"D
BULB INCLUDED 1 x JCD/G9/3.5W/120V LED
OTHER BULB OPTIONS 1 x JCD/G9/40W/120V Halogen

Technical Information

LAMP COLOR 2700K
LUMENS/WATT 94.29
LUMINOUS FLUX 330 lumens



Shown in polished brass / opal



CLICK TO VIEW PRODUCT

Notes: