

Lightology

lightology.com
866-954-4489
05-24-26

Project: _____
 Company: _____
 Location: _____ Fixture Type: _____
 SPEC #: **WAC1424399**
 Approved On: _____ Approved By: _____

Tribeca Color-Select Pendant By WAC Lighting



Description

Three harmoniously aligned triangles emit soft LED illumination from the Tribeca Color-Select Pendant. Tribeca's unique ring arrangement brings an added dimension to this angular pendant. Tribeca includes a color-select switch which allows user to field select between 2700K, 3000K, 3500K and 4000K color temperature options. Select a pre-set option and field adjust. TRIAC and ELV dimming.

Specifications

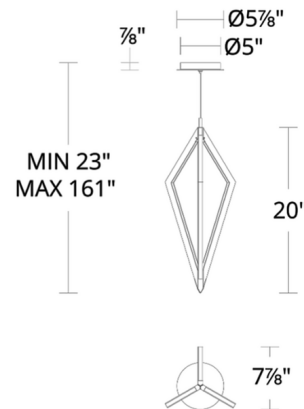
COLOR	White
BODY FINISH	Aged Brass
WATTAGE	14W
DIMMER	Standard 120V
DIMENSIONS	7.88"W x 20"H
INTEGRATED LED MODULE	1 x LED/14W/120-277V LED

Technical Information

LAMP LIFE	50000 hours
COLOR RENDERING	.90 CRI
LAMP COLOR	. CCT Select
LUMENS/WATT	27.07
LUMINOUS FLUX	379 lumens



Shown in aged brass / white



CLICK TO VIEW PRODUCT

Notes: