

Lightology

lightology.com
866-954-4489
04-22-26

Project: _____

Company: _____

Location: _____ Fixture Type: _____

SPEC #: **WAC1424552**

Approved On: _____ Approved By: _____

Balance Beam Color-Select Linear Pendant By WAC Lighting



Description

The Balance Beam Linear Pendant features adjustable silicone straps that balance a slim clear bar enclosing a double layer of illumination. 360 degree illumination. Balance Beam includes a color-select switch which allows user to field select between 2700K, 3000K, 3500K and 4000K color temperature options. Select a pre-set color temperature and field adjust. TRIAC and ELV dimming at 120V. 0-10V dimming at 277V.

Specifications

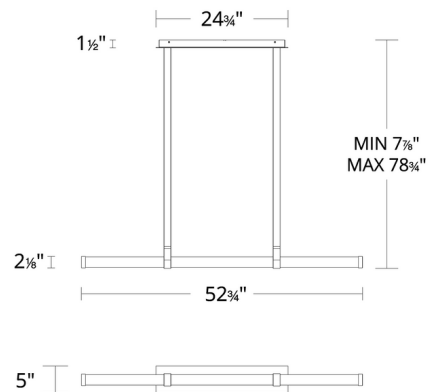
COLOR White
BODY FINISH Black
WATTAGE 41W
DIMMER Low Voltage Electronic
DIMENSIONS 52.75"L x 2.13"W x 2.13"H
INTEGRATED LED MODULE 1 x LED/41W/120-277V LED

Technical Information

LAMP LIFE 54000 hours
COLOR RENDERING 90 CRI
LAMP COLOR 2700K
LUMENS/WATT 46.85
LUMINOUS FLUX 1921 lumens



Shown in black / white



CLICK TO VIEW PRODUCT

Notes: