

Lightology

lightology.com
866-954-4489
05-17-26

Project: _____
 Company: _____
 Location: _____ Fixture Type: _____
 SPEC #: **WAC1424568**
 Approved On: _____ Approved By: _____

Manchester Color-Select Outdoor Post Light By WAC Lighting



Description

A thick hammered glass shade sends a textured glow from the modern Manchester Color-Select Outdoor Post Light. An open cage frame and clean geometric accents provides added style. Features a color-select switch which allows user to field select between 2700K, 3000K, 3500K and 4000K color temperature options. Order a pre-set color temperature and adjust in the field. ACLED driverless technology. TRIAC and ELV dimming. Note: Mounts on a 3 inch maximum diameter post. Post is required and sold separately.

Specifications

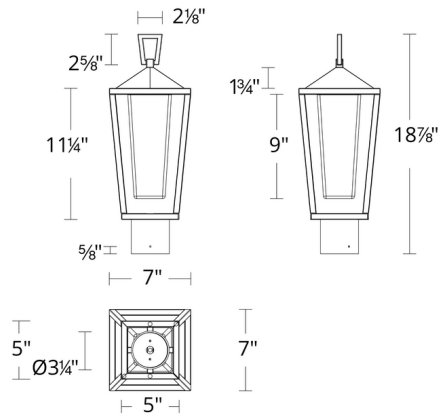
COLOR	Clear
BODY FINISH	Black
WATTAGE	13W
DIMMER	Low Voltage Electronic
DIMENSIONS	7"W x 18.87"H x 7"D
INTEGRATED LED MODULE	1 x LED/13W/120V LED

Technical Information

LAMP LIFE	54000 hours
COLOR RENDERING	90 CRI
LAMP COLOR	2700K
LUMENS/WATT	49.38
LUMINOUS FLUX	642 lumens



Shown in black / clear



CLICK TO VIEW PRODUCT

Notes: