

Lightology

lightology.com
866-954-4489
04-25-26

Project: _____

Company: _____

Location: _____ Fixture Type: _____

SPEC #: **EUFI429714**

Approved On: _____ Approved By: _____

Noga Wall Sconce By Eurofase



Description

Encasing the beauty of natural alabaster stone, the Noga Wall Sconce displays these characteristics through warmth in illumination. The stones unique trails of clouding and veins are exhibited in larger one piece plates, providing a modern minimalist take on this timeless design.

Specifications

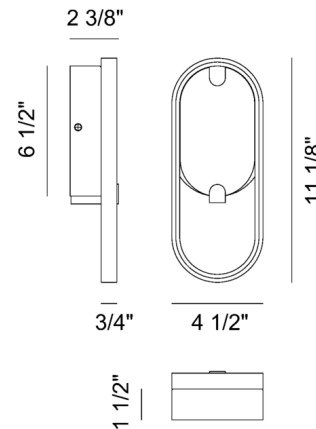
COLOR Alabaster
BODY FINISH Gold
WATTAGE 8W
DIMMER Standard 120V
DIMENSIONS 4.13"W x 11.25"H x 2.37"D
INTEGRATED LED MODULE 1 x LED/8W/120V LED

Technical Information

COLOR RENDERING 90 CRI
LAMP COLOR 3000K
LUMENS/WATT 28.00
LUMINOUS FLUX 224 lumens



Shown in gold / alabaster



CLICK TO VIEW PRODUCT

Notes: