

Lightology

lightology.com
866-954-4489
04-25-26

Project: _____

Company: _____

Location: _____ Fixture Type: _____

SPEC #: **SIN1440493**

Approved On: _____ Approved By: _____

Stria 4 Wall Light

By SIN

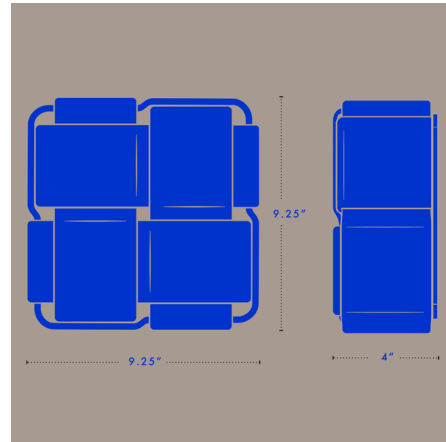


Description

A study in tension and pattern, the Stria 4 Wall Light draws inspiration from weaving, where elegant shape emerges through repetition. Hand-placed ceramic strips create a strong lattice of light and shadow, creating warmth and dimension. Perfect for shining a soft glow in a reading nook or adding texture along a hallway. METALLIC GLAZE AGING AND VARIATION The Obsidian and Graphite glazes contain reactive metallic compounds that naturally oxidize, causing their hue and sheen to evolve over time. Expect soft mattifying, darker tones, or a gentle reduction in luster, beautiful changes that make each handmade piece uniquely alive. These subtle shifts are part of the glaze's natural character, not flaws.



Shown in graphite



Specifications

COLOR	N/A
BODY FINISH	Graphite
WATTAGE	8W
DIMMER	Standard 120V
DIMENSIONS	9.25\"W x 9.25\"H x 4\"D
BULB NOT INCLUDED	2 x A19/Medium (E26)/4W/120V LED
COUNTRY OF ORIGIN	United States



CLICK TO VIEW PRODUCT

Notes: