

# Lightology

lightology.com  
866-954-4489  
04-22-26

Project: \_\_\_\_\_  
 Company: \_\_\_\_\_  
 Location: \_\_\_\_\_ Fixture Type: \_\_\_\_\_  
 SPEC #: **SIN1440515**  
 Approved On: \_\_\_\_\_ Approved By: \_\_\_\_\_

## Gio Table Lamp By SIN



### Description

Like ancient monolithic stone markers, the Gio Table Lamp fuses sculptural simplicity with celestial inspiration. A folded ceramic base pairs with a handcrafted Paper, Fabric, or French Parchment shade, creating a grounded yet airy glow. Bring timeless character to a nightstand, brighten a study desk, or anchor a styled bookshelf with this charming lamp. Brass on/off pull chain located on socket. METALLIC GLAZE AGING AND VARIATIONThe Obsidian and Graphite glazes contain reactive metallic compounds that naturally oxidize, causing their hue and sheen to evolve over time. Expect soft mattifying, darker tones, or a gentle reduction in luster, beautiful changes that make each handmade piece uniquely alive. These subtle shifts are part of the glaze's natural character, not flaws.

### Specifications

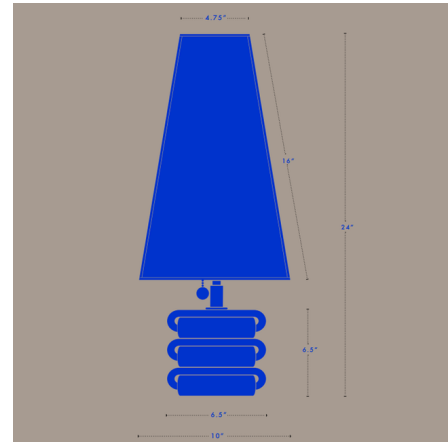
COLOR . . . . . Grid Woven Fabric  
 BODY FINISH . . . . . Obsidian  
 WATTAGE . . . . . 6W  
 DIMMER . . . . . N/A  
 DIMENSIONS . . . . . 10"W x 24"H x 10"D  
 BULB INCLUDED . . . . . 1 x G16.5/Medium (E26)/6W/120V LED  
 COUNTRY OF ORIGIN . . . . . United States

### Technical Information

LAMP COLOR . . . . . 2200K  
 LUMENS/WATT . . . . . 80.00  
 LUMINOUS FLUX . . . . . 480 lumens



Shown in obsidian / grid woven fabric



CLICK TO VIEW PRODUCT

Notes: