

Lightology

lightology.com
866-954-4489
04-25-26

Project: _____

Company: _____

Location: _____ Fixture Type: _____

SPEC #: **EDG1443566**

Approved On: _____ Approved By: _____

DIY Reveal Cove/Pathway 8 Foot Channel By PureEdge Lighting



Description

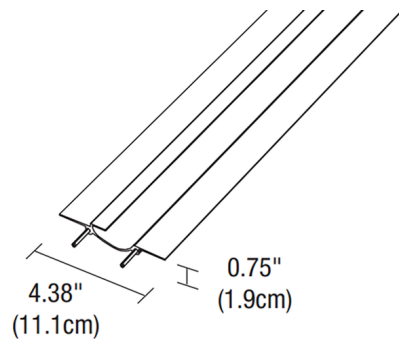
The Reveal Cove/Pathway DIY (Do-It-Yourself) 8 Foot Plaster-In-Channel allows for the creation of Reveal DIY systems. LED strip (sold separately) installed on side of the channel. Does not require a lens. Field cuttable to any length. Includes channel joiners. Note: LED Strip is sold separately, available in 1 foot increments in 2 watt (2.5 watts per foot up to 40 feet), 5 watt (4.4 watts per foot up to 20 feet), or 7 watt (7.3 watts per foot up to 12 feet) per foot and is field cuttable. Static White, Warm Dim, and Monochromatic Color options can use a 50 watt (PS-60L-ELV) power supply which fits inside junction box (dimmable ELV), or a remote Universal (UNI) power supply (dimmable ELV/TRIAC/0-10V). Tunable White requires a Tunable White power supply with DMX (must be used with CDMX1-2XK controller), or a 0-10V 2-channel Tunable White power supply (dimmable with two dimmers -- one for intensity and one for color temperature). RGBTW can be used with PureSmart WiZ pro or DMX power supplies. Note: Required power supply, LED strip, power feed, pre-formed components and optional mounting accessories as needed sold separately.

Specifications

COLOR	N/A
BODY FINISH	White
WATTAGE	N/A
DIMMER	N/A
DIMENSIONS	.96"L
BULB	N/A



Shown in white



CLICK TO VIEW PRODUCT

Notes: