

Lightology

lightology.com
866-954-4489
04-28-26

Project: _____
 Company: _____
 Location: _____ Fixture Type: _____
 SPEC #: **EDG1443569**
 Approved On: _____ Approved By: _____

DIY Reveal Cove/Pathway End Feed Power Channel Connector

By PureEdge Lighting



Description

The End Feed Power Channel Connector allows 24VDC power to be fed from the end of the channel. LED Strip (sold separately) may be installed flat or on the side of the channel. Includes 6 inch channel, lens, channel joiners, junction box, adjustable mounting bars, take up box, and pinned power cable. Note: DIY (Do-It-Yourself) component designed for use with Reveal Cove/Pathway: All Other Color Temperatures: Static White, Static Color, Tunable White and RGBRGBW (Red-Blue-Green+White) TruColor RGBTW (Red-Blue-Green+Tunable White)

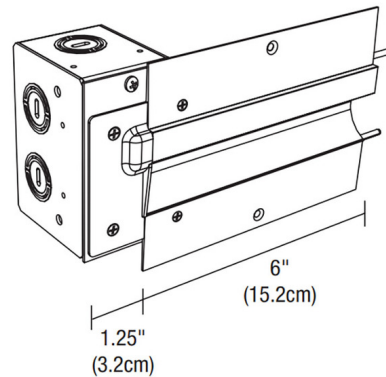
Specifications

COLOR	N/A
BODY FINISH	White
WATTAGE	N/A
DIMMER	N/A
DIMENSIONS	7.25"W
BULB	N/A

Notes:



Shown in white



CLICK TO VIEW PRODUCT