

Lightology

lightology.com
866-954-4489
04-22-26

Project: _____

Company: _____

Location: _____ Fixture Type: _____

SPEC #: **LZF1458953**

Approved On: _____ Approved By: _____

Voliere Pendant By LZF



Description

The Voliere Pendant is a modern take on the iconic 1920s Art Deco chandelier, reimagined through a contemporary lens. Inspired by the elegance of French Art Deco lighting, its intricately layered wood veneer elements evoke the soft, graceful form of feathery plumes. Sculptural and dynamic, the lamp reveals new visual dimensions from every angle, offering a striking interplay of texture, light, and movement. Includes a 198 inch Gold cloth electrical cable.

Specifications

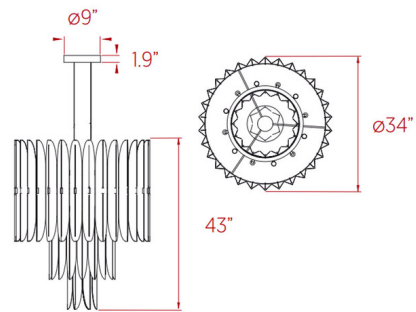
COLOR Ivory White
BODY FINISH Gold
WATTAGE 240W
DIMMER Dimmable
DIMENSIONS 34"W x 43"H
BULB NOT INCLUDED 2 x A19/Medium (E26)/15W/120V LED
BULB NOT INCLUDED 14 x B10/Candelabra (E12)/15W/120V LED
COUNTRY OF ORIGIN Spain

Technical Information

PRODUCT DIMENSIONS Three Adjustable Steel Cables: 198"
LAMP LIFE 50000 hours



Shown in gold / ivory white



CLICK TO VIEW PRODUCT

Notes: