

Lightology

lightology.com
866-954-4489
05-17-26

Project: _____

Company: _____

Location: _____ Fixture Type: _____

SPEC #: **MFR1459429**

Approved On: _____ Approved By: _____

Balthus Outdoor Post Light

By Modern Forms



Description

The Balthus Outdoor Post Light features a charming vintage lantern design with a mouth blown hammered glass shade. Brought into modern times with an integrated LED light, it provides powerful energy-efficient illumination for your space. Use this post light to illuminate front walkway or or drive.

Specifications

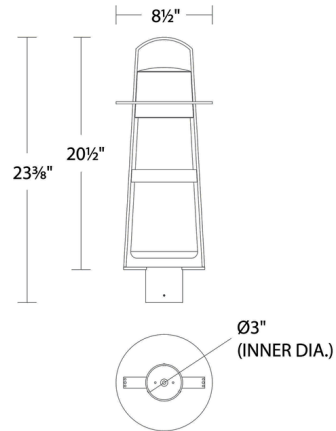
COLOR	Clear
BODY FINISH	Black
WATTAGE	15.7W
DIMMER	Low Voltage Electronic
DIMENSIONS	7.2"W x 23.4"H x 7.2"D
INTEGRATED LED MODULE	1 x LED/15.7W/120V LED
COUNTRY OF ORIGIN	China

Technical Information

LAMP LIFE	54000 hours
COLOR RENDERING	90 CRI
LAMP COLOR	3000K
LUMENS/WATT	31.85
LUMINOUS FLUX	500 lumens



Shown in black / clear



CLICK TO VIEW PRODUCT

Notes: