

Lightology

lightology.com
866-954-4489
07-02-26

Project: _____

Company: _____

Location: _____ Fixture Type: _____

SPEC #: **MFR1459590**

Approved On: _____ Approved By: _____

Royce Wall Sconce

By Modern Forms



Description

The Royce Wall Sconce is a dazzling crystal masterpiece. A reclaimed K5 crystal cylinder showcases tiny shards that create sparkling illumination. A curved metal sleeve secures the crystal, adding visual interest while subtly reflecting the light.

Specifications

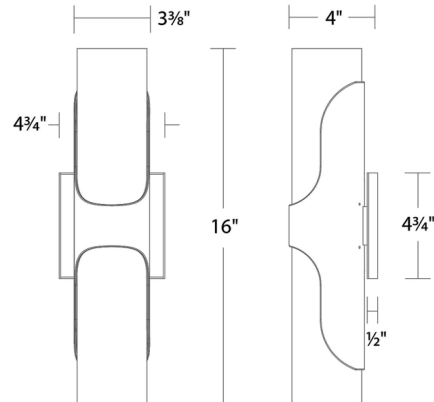
COLOR	Crystal
BODY FINISH	Black
WATTAGE	21.6W
DIMMER	Low Voltage Electronic
DIMENSIONS	3.38"W x 16"H x 4"D
INTEGRATED LED MODULE	1 x LED/21.6W/120V LED
COUNTRY OF ORIGIN	China

Technical Information

LAMP LIFE	54000 hours
COLOR RENDERING	90 CRI
LAMP COLOR	3000K
LUMENS/WATT	37.04
LUMINOUS FLUX	800 lumens



Shown in black / crystal



CLICK TO VIEW PRODUCT

Notes: