

Lightology

lightology.com
866-954-4489
04-25-26

Project: _____

Company: _____

Location: _____ Fixture Type: _____

SPEC #: **OBL1459673**

Approved On: _____ Approved By: _____

Trapeze Quartette Pendant By Oblure

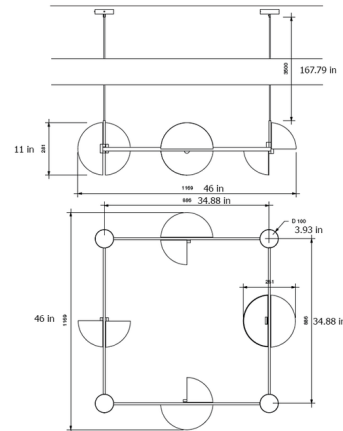


Description

The Trapeze Quartette Pendant features four pairs of half-moon shaped shades mounted together. Each shade can be rotated 360 degrees, allowing for the simultaneous combination of uplight and downlight, offering both playful flexibility and practical functionality. Its bold yet pragmatic form makes it ideal for dynamic lighting arrangements. Note: Fixture does not fit on a standard 4in junction box.



Shown in black



Specifications

COLOR	N/A
BODY FINISH	Black
WATTAGE	72W
DIMMER	Standard 120V
DIMENSIONS	45.98"W x 11.06"H x 45.98"D
BULB NOT INCLUDED	8 x B10/Candelabra (E12)/9W/120V LED



CLICK TO VIEW PRODUCT

Notes: