

Lightology

lightology.com
866-954-4489
07-02-26

Project: _____
Company: _____
Location: _____ Fixture Type: _____
SPEC #: **RAB1460659**
Approved On: _____ Approved By: _____

Kane Solid Shade Hardwired / Plug-in Wall Sconce By Robert Abbey



Description

The Kane Solid Shade Hardwired / Plug-in Wall Sconce is inspired by Bamboo shoots found in Asia, bringing a far east look to your interior space. The colorful stem and backplate is complemented with metal accents and is topped with a tapered matching shade that cast warm shadows of light across your room. On/Off rocker switch is located on the cord. May be used with the included cord covers and cord with plug as a Plug-in option or Hardwired directly to the wall.

Specifications

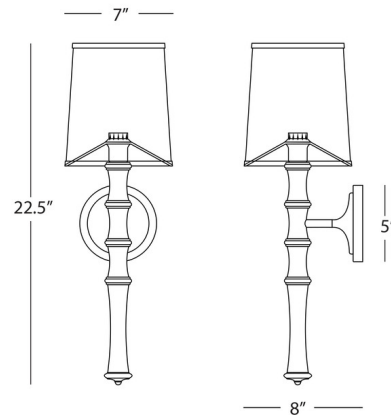
COLOR Jungle
BODY FINISH Modern Brass
WATTAGE 9W
DIMMER Standard 120V
DIMENSIONS 7"W x 22.5"H x 8"D
BULB NOT INCLUDED 1 x B10/Candelabra (E12)/9W/120V LED
COUNTRY OF ORIGIN Malaysia

Technical Information

PRODUCT DIMENSIONS Silver Cord: 96"



Shown in modern brass / jungle



CLICK TO VIEW PRODUCT

Notes: