

Lightology

lightology.com
866-954-4489
07-01-26

Project: _____
 Company: _____
 Location: _____ Fixture Type: _____
 SPEC #: **RAB1460693**
 Approved On: _____ Approved By: _____

Kane Shade Hardwired / Plug-in Wall Sconce

By Robert Abbey



Description

The Kane Shade Wall Sconce is inspired by Bamboo shoots found in Asia, bringing a far east look to your interior space. The colorful stem and backplate is complemented with metal accents and is topped with a tapered fabric shade that cast warm shadows of light across your room. On/Off rocker switch is located on the cord. May be used with the included cord covers and cord with plug as a Plug-in option or Hardwired directly to the wall.

Specifications

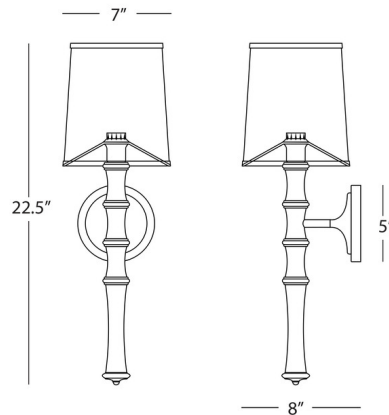
COLOR Ascot / Polished Nickel
 BODY FINISH Rose Water
 WATTAGE 9W
 DIMMER Standard 120V
 DIMENSIONS 7"W x 22.5"H x 8"D
 BULB NOT INCLUDED 1 x B10/Candelabra (E12)/9W/120V LED
 COUNTRY OF ORIGIN Malaysia

Technical Information

PRODUCT DIMENSIONS Silver Cord: 96"



Shown in rose water / ascot / polished nickel



CLICK TO VIEW PRODUCT

Notes: