

Lightology

lightology.com
866-954-4489
07-01-26

Project: _____
 Company: _____
 Location: _____ Fixture Type: _____
 SPEC #: **TOY1476679**
 Approved On: _____ Approved By: _____

Nastro Curved Pendant By Tooy



Description

The Nastro Curved Pedant features a curved aluminum band accompanied by cylindrical weights that counterbalance the sleek form. An integrated LED in each cylinder provide a dimmable light source with ample task lighting for surfaces below. The driver is located within the decentralized (off center) canopy. Canopy fits on standard US junction boxes. Phase cut dimming.

Specifications

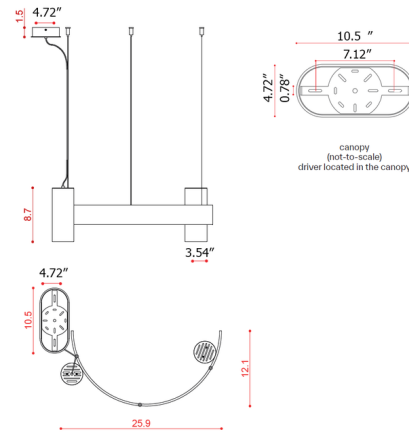
COLOR	Beige
BODY FINISH	Terracotta Cylinder
WATTAGE	18W
DIMMER	Low Voltage Electronic
DIMENSIONS	25.9"W x 8.7"H x 12.1"D
INTEGRATED LED MODULE	2 x LED/9W/120V LED

Technical Information

PRODUCT DIMENSIONS	Cable: 49"
LAMP COLOR	2700K
LUMENS/WATT	228.89
LUMINOUS FLUX	2060 lumens



Shown in terracotta cylinder / beige



CLICK TO VIEW PRODUCT

Notes: