

Lightology

lightology.com
866-954-4489
04-24-26

Project: _____

Company: _____

Location: _____ Fixture Type: _____

SPEC #: **TOY1476741**

Approved On: _____ Approved By: _____

Nastro Ring Chandelier

By Tooy



Description

The Nastro Ring Chandelier features a curved aluminum band accompanied by cylindrical weights that counterbalance the sleek form. Integrated LED in each cylinder provide a dimmable light source with ample task lighting for surfaces below. The driver is located within the 4.7W x 10.5L x 1.5H canopy. Decentralized (off center) canopy fits on standard US junction box. Phase cut dimming.

Specifications

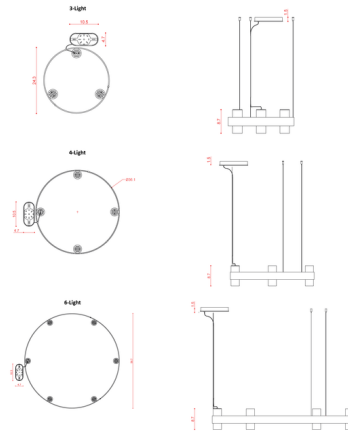
COLOR Beige
 BODY FINISH Sand Black Cylinder
 WATTAGE 36W
 DIMMER Low Voltage Electronic
 DIMENSIONS 36.1"W x 8.7"H
 INTEGRATED LED MODULE 4 x LED/9W/120V LED

Technical Information

PRODUCT DIMENSIONS Adjustable Cable Length: 49.2"
 LAMP COLOR 2700K
 LUMENS/WATT 457.78
 LUMINOUS FLUX 4120 lumens



Shown in sand black cylinder / beige



CLICK TO VIEW PRODUCT

Notes: