

# Lightology

lightology.com  
866-954-4489  
07-01-26

Project: \_\_\_\_\_

Company: \_\_\_\_\_

Location: \_\_\_\_\_ Fixture Type: \_\_\_\_\_

SPEC #: **TOY1476808**

Approved On: \_\_\_\_\_ Approved By: \_\_\_\_\_

## Nastro Tier Chandelier

By Tooy



### Description

The Nastro Tier Chandelier features a curved aluminum band accompanied by cylindrical weights that counterbalance the sleek form. Integrated LED in each cylinder provide a dimmable light source with ample task lighting for surfaces below. The driver is located within the 4.7 x 10.5 x 1.8 inch canopy. Decentralized (off center) canopy fits on standard US junction box. Phase dimming. Minimum height: 39.4 inch.

### Specifications

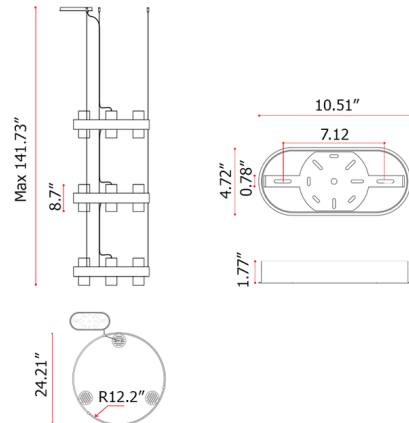
COLOR . . . . . Eggshell  
BODY FINISH . . . . . Brushed Brass Cylinder  
WATTAGE . . . . . 81W  
DIMMER . . . . . Low Voltage Electronic  
DIMENSIONS . . . . . 24.3"W x 9.8"H  
INTEGRATED LED MODULE . . . . . 9 x LED/9W/120V LED

### Technical Information

PRODUCT DIMENSIONS . . . . . Adjustable Cable Length: 137.8"  
LAMP COLOR . . . . . 2700K  
LUMENS/WATT . . . . . 1,030.00  
LUMINOUS FLUX . . . . . 9270 lumens



Shown in brushed brass cylinder / eggshell



CLICK TO VIEW PRODUCT

Notes: