

Lightology

lightology.com
866-954-4489
07-07-26

Project: _____

Company: _____

Location: _____ Fixture Type: _____

SPEC #: **TOY1476938**

Approved On: _____ Approved By: _____

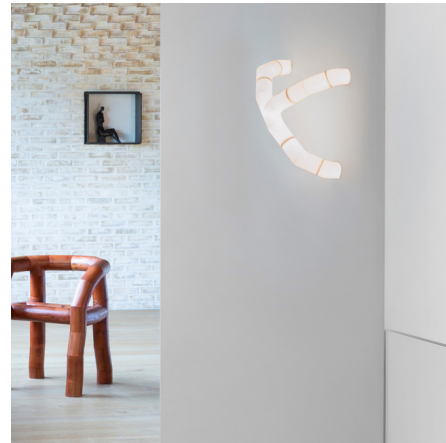
Tratti Curved T Wall / Ceiling Light

By Tooy

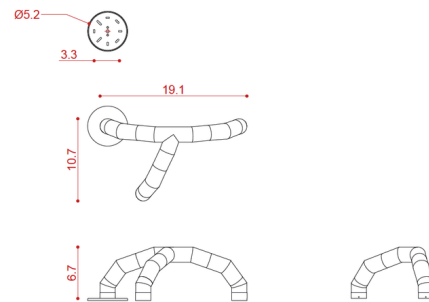


Description

The Tratti Curved T Wall / Ceiling Light is a sculptural work of art. Characterized by a slightly grainy white finish, noticeable even when turned off, and made of 3D printed nylon powder, this light produces a soft and diffused illumination that showcases the unusual geometry of the modular sections. Phase cut dimming. Backplate for standard US junction box is included. Note: Includes a remote driver which must be placed in an accessible location.



Shown in natural



Specifications

COLOR	N/A
BODY FINISH	Natural
WATTAGE	15W
DIMMER	Low Voltage Electronic
DIMENSIONS	19.3"W x 11.02"H x 6.3"D
INTEGRATED LED MODULE	1 x LED/15W/120V LED

Technical Information

LAMP COLOR	2700K
LUMENS/WATT	63.33
LUMINOUS FLUX	950 lumens



CLICK TO VIEW PRODUCT

Notes: