

Lightology

lightology.com
866-954-4489
04-22-26

Project: _____
 Company: _____
 Location: _____ Fixture Type: _____
 SPEC #: **TOY1476939**
 Approved On: _____ Approved By: _____

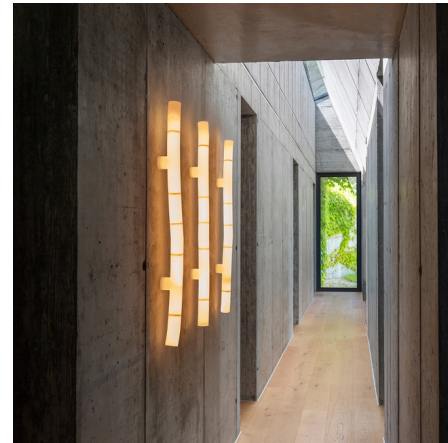
Tratti Linear Wall / Ceiling Light

By Tooy

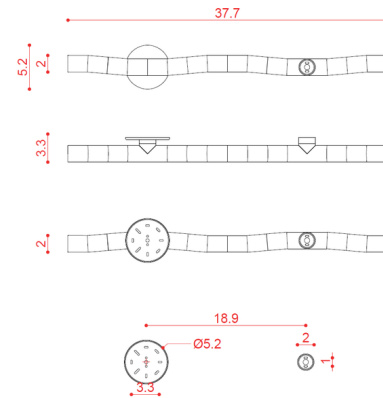


Description

The Tratti Wall / Ceiling Light is a sculptural work of art. Characterized by a slightly grainy white finish, noticeable even when turned off, and made of 3D printed nylon powder, this light is produces a soft and diffused illumination that showcases the unusual geometry of the modular sections. Phase cut dimming. Backplate for standard US junction box is included. Note: Note: Includes a remote driver which must be placed in an accessible location.



Shown in natural



Specifications

COLOR	N/A
BODY FINISH	Natural
WATTAGE	15W
DIMMER	Low Voltage Electronic
DIMENSIONS	2"W x 37.7"H x 3.3"D
INTEGRATED LED MODULE	1 x LED/15W/24V LED

Technical Information

LAMP COLOR	2700K
LUMENS/WATT	63.33
LUMINOUS FLUX	950 lumens



CLICK TO VIEW PRODUCT

Notes: