

# Lightology

lightology.com  
866-954-4489  
06-27-26

Project: \_\_\_\_\_  
 Company: \_\_\_\_\_  
 Location: \_\_\_\_\_ Fixture Type: \_\_\_\_\_  
 SPEC #: **SN21480165**  
 Approved On: \_\_\_\_\_ Approved By: \_\_\_\_\_

## MR16 GU5.3 Base 7W 12V 2700K 15Deg 90CRI 2-PACK By SunLight2

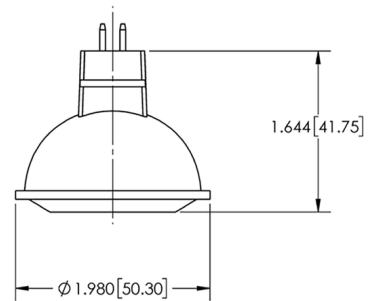


### Description

The SunLight2 Builder's Edition MR16 GU5.3 Base 12 Volt LED bulb is designed for applications where high CRI, great dimming performance, and reliability, are integrated in a cost-effective solution for residential, commercial and retail applications. Equivalent to a 50 watt halogen bulb. SunLight2 builder's edition meets Energy Star & California Title 20 and 24 JA8 requirements. Fully dimmable with ELV and TRIAC. 0-10V dimmable with certain power sources. Note: Sold as a 2-pack.



Shown in white



### Specifications

COLOR	N/A
BODY FINISH	White
WATTAGE	7W
DIMMER	Low Voltage Electronic
DIMENSIONS	1.98"W x 1.64"H
BULB INCLUDED	MR16/GU5.3 (bipin)/7W/12V LED

### Technical Information

BEAM ANGLE	15°
COLOR RENDERING	90 CRI
LAMP COLOR	2700K
LUMENS/WATT	71.43
LUMINOUS FLUX	500 lumens



CLICK TO VIEW PRODUCT

Notes: