

Lightology

lightology.com
866-954-4489
04-25-26

Project: _____

Company: _____

Location: _____ Fixture Type: _____

SPEC #: **EDG1481247**

Approved On: _____ Approved By: _____

TS24M 2-Circuit Magnetic Track L Shape Connector By PureEdge Lighting

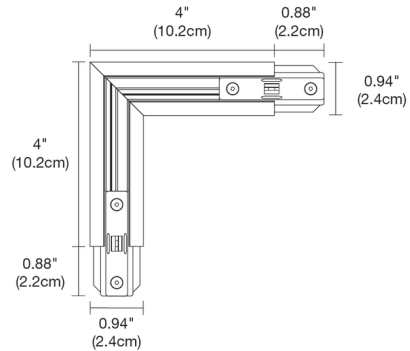


Description

The TS24M 2-Circuit L-Shaped Connector joins two sections of track 90 degrees apart, conducting the power (LC) or isolating the power (LNC). Order non-conductive when adding two power supplies to form a square configuration.



Shown in white



Specifications

| | |
|-------------|-----------|
| COLOR | N/A |
| BODY FINISH | White |
| WATTAGE | N/A |
| DIMMER | N/A |
| DIMENSIONS | 4"W x 4"H |
| BULB | N/A |



CLICK TO VIEW PRODUCT

Notes: