

Lightology

lightology.com
866-954-4489
04-25-26

Project: _____
 Company: _____
 Location: _____ Fixture Type: _____
 SPEC #: **EDG1485894**
 Approved On: _____ Approved By: _____

TruLine 1.6A L Power Feed Channel Connector/Bridgebox/J-Box By PureEdge Lighting

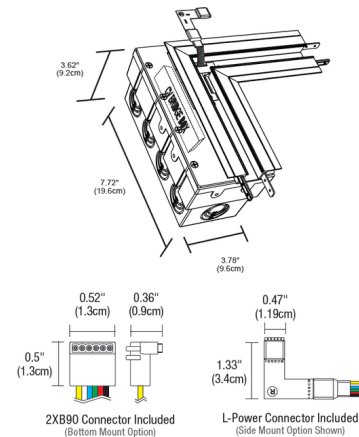


Description

The TruLine 1.6A Single L Power Channel Connector includes a WiZ Pro CV Bridgebox in a 4-Gang Junction Box, Lens, Channel Joiners, Adjustable Mounting Bars, two 90 Power Connectors, as well as Left and Right Power Connectors. Allows 24VDC power to be fed from corners for 90 degree turns (with power) in Picture Frame installations either in one or both directions. LED Strip (not included) installs on the side of the channel to create continuous illumination on a wall or ceiling. Color Temperature Options: DW: Static White TC5W5: TruColor RGB TW 5 Watts RGB + 5 Watts Tunable White TC5W7: TruColor RGB TW 5 Watts RGB + 7 Watts Tunable White



Shown in white



Specifications

COLOR	N/A
BODY FINISH	White
WATTAGE	N/A
DIMMER	N/A
DIMENSIONS	7.72"W x 3.62"H x 7.72"D
BULB	N/A



CLICK TO VIEW PRODUCT

Notes: