

Lightology

lightology.com
866-954-4489
07-01-26

Project: _____

Company: _____

Location: _____ Fixture Type: _____

SPEC #: **ZAN1487945**

Approved On: _____ Approved By: _____

Plie Wall Light

By ZANEEN design



Description

Plie is a LED family that creates linear shapes with metal lines for a minimalistic design. This is a luminaire with a strong architectural personality, formed by a single part and created with metal. The result is a simple and asymmetrical fixture with an elegant and sober image.

Specifications

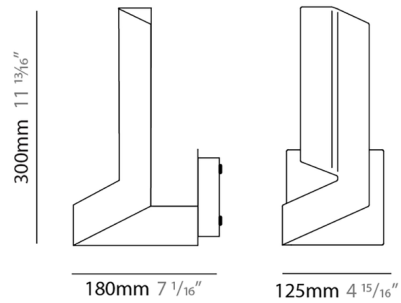
COLOR N/A
BODY FINISH Black
WATTAGE 6W
DIMMER Not Dimmable
DIMENSIONS 4.93"W x 11.81"H x 7.06"D
INTEGRATED LED MODULE 1 x LED/6W/120V LED
COUNTRY OF ORIGIN Spain

Technical Information

LAMP LIFE 50000 hours
COLOR RENDERING 85 CRI
LAMP COLOR 3000K
LUMENS/WATT 80.00
LUMINOUS FLUX 480 lumens



Shown in black



CLICK TO VIEW PRODUCT

Notes: