

Lightology

lightology.com
866-954-4489
04-25-26

Project: _____

Company: _____

Location: _____ Fixture Type: _____

SPEC #: **EDG1491157**

Approved On: _____ Approved By: _____

DIY TruCurve /TruArch Straight to Straight Channel

By PureEdge Lighting



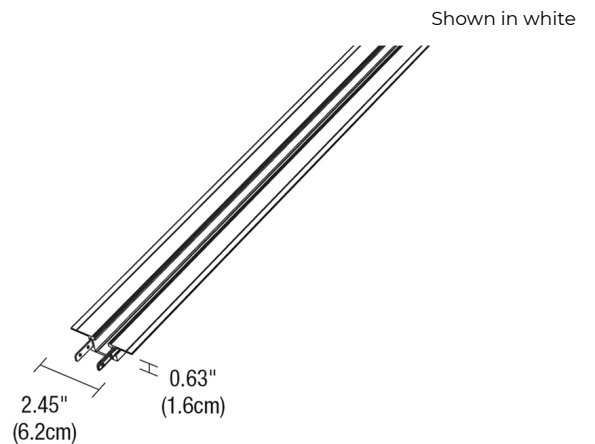
Description

The DIY (Do-It-Yourself) TruCurve 1 Straight Channel is a plaster-in straight channel for connecting to TruCurve Flexible Channels for long straight runs. LED strip is installed on the side of the channel. Channel is sold in multiple lengths and may be field cut to exact length on-site. Note: Both LED strip and lens are sold separately. Designed for use with PureEdge TruCurve or TruArch Flexible Channels.

Specifications

COLOR	N/A
BODY FINISH	White
WATTAGE	N/A
DIMMER	N/A
DIMENSIONS	12"L x 2.45"W x 0.63"H
BULB	N/A

Notes:



CLICK TO VIEW PRODUCT