

Lightology

lightology.com
866-954-4489
05-25-26

Project: _____
 Company: _____
 Location: _____ Fixture Type: _____
 SPEC #: **EDG1491170**
 Approved On: _____ Approved By: _____

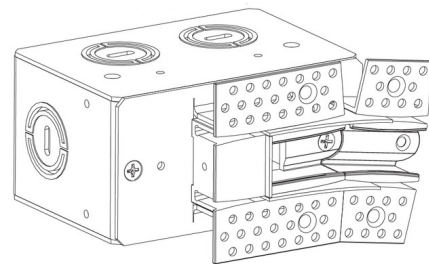
DIY TruCurve 1 Flexible Channel End Feed Power Connector

By PureEdge Lighting

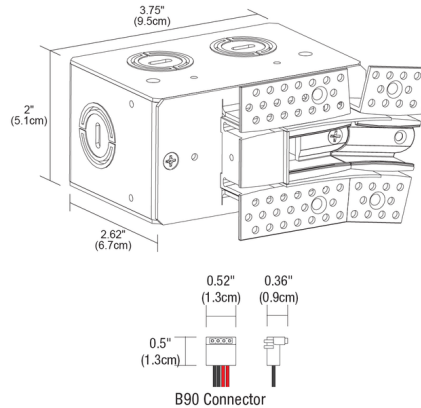


Description

The DIY (Do-It-Yourself) TruCurve 1 End Feed Power Connector allows 24VDC power to be fed from the end of the channel on flexible channel. LED Strip installed on the side of the channel. Note: Both LED strip and lens are sold separately. Includes Channel Joiners, Junction Box, Adjustable Mounting Bars, and Pinned Power Connector.



Shown in white



Specifications

COLOR	N/A
BODY FINISH	White
WATTAGE	N/A
DIMMER	N/A
DIMENSIONS	3.75"L x 2"W x 2.62"H
BULB	N/A



CLICK TO VIEW PRODUCT

Notes: