

Lightology

lightology.com
866-954-4489
07-01-26

Project: _____

Company: _____

Location: _____ Fixture Type: _____

SPEC #: **1011491326**

Approved On: _____ Approved By: _____

Kamado Chair

By 101 Copenhagen

Description

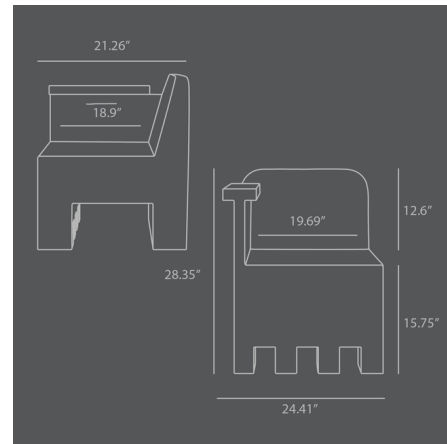
Named after traditional Japanese clay ovens, the Kamado Chair emphasizes unique Japanese aesthetics in a minimalistic fiber concrete lounge chair. Kamado means place for the cauldron and the traditional ovens where build directly on the ground with clay. Air openings around the floor level created the impression of a set of legs, which has been used as a reference for the front legs of the Kamado Chair. A sort of asymmetry where usually found in the first ovens, which is emphasized in Kamado Chair with the one-sided armrest for an increased and relaxing seating comfort. The chair is cast in lightweight fiber concrete, creating a unique surface texture, and increasing the overall mobility of the chair. Each piece is hand painted to create a textured and unique surface. Emphasizing the fine balance between sharp architectural lines and Japanese aesthetics, the Kamado Chair is a sculptural statement piece with a compelling seating comfort.

Specifications

COLOR	N/A
BODY FINISH	Coffee
WATTAGE	N/A
DIMMER	N/A
DIMENSIONS	24.41"W x 28.35"H x 21.26"D
BULB	N/A
COUNTRY OF ORIGIN	China



Shown in coffee



CLICK TO VIEW PRODUCT

Notes: