

# Lightology

lightology.com  
866-954-4489  
05-17-26

Project: \_\_\_\_\_

Company: \_\_\_\_\_

Location: \_\_\_\_\_ Fixture Type: \_\_\_\_\_

SPEC #: **1011491378**

Approved On: \_\_\_\_\_ Approved By: \_\_\_\_\_

## Temple Coffee Table

By 101 Copenhagen

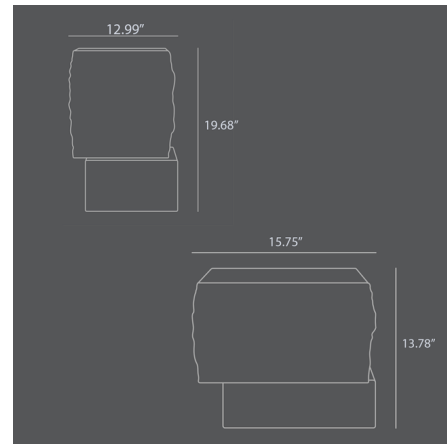


### Description

Rich on architectural references, Temple Coffee Tables reminisces architectural facades to create a play of tactile and polished surfaces. Made from a beautiful sand color limestone, each table consists of two staggered blocks on top of each other. Rich on texture, small holes and incorrections, each table embraces the beauty of the natural stone. Made by skilled stone artisans, the tactile surface is achieved by delicate hand carvings. Temple Coffee Tables comes in two sizes and is suitable for many purposes, such as coffee tables, side table and plinths to exhibit objects. Limestone is suitable for outdoor use.



Shown in limestone / limestone



### Specifications

COLOR	Limestone
BODY FINISH	Limestone
WATTAGE	N/A
DIMMER	N/A
DIMENSIONS	15.75\"W x 13.78\"H
BULB	N/A
COUNTRY OF ORIGIN	China



CLICK TO VIEW PRODUCT

Notes: