

# Lightology

lightology.com  
866-954-4489  
04-12-26

Project: \_\_\_\_\_

Company: \_\_\_\_\_

Location: \_\_\_\_\_ Fixture Type: \_\_\_\_\_

SPEC #: **1011491447**

Approved On: \_\_\_\_\_ Approved By: \_\_\_\_\_

## Crown Glass Table By 101 Copenhagen

### Description

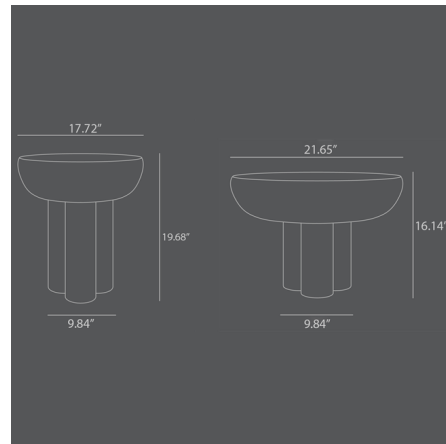
Introducing the Crown Collection, where elegance meets architectural artistry in exquisitely crafted, mouth-blown glass. Each Crown Table is formed as a single, seamless piece, featuring a circular tabletop resting on four cylindrical legs achieving a perfect balance between structure and simplicity. Inspired by the raw, monolithic elements of Brutalist architecture, the design pays homage to the beauty of columns while embracing a refined, minimalist aesthetic. Meticulously crafted through a complex mouth-blown glass process, each table begins with molten glass heated to 1500 degrees Celsius, then shaped inside a custom mold. Air is expertly blown into the form, giving rise to the iconic Crown silhouette. Once removed from the mold, the glass undergoes a controlled tempering process before its base is precision-cut for a level stance. The inner surface is then carefully spray-painted to achieve its signature, dimensional hue. To ensure stability and durability, the glass structure is mounted onto a wooden base with internal metal reinforcement, combining aesthetic purity with functional resilience. Due to the artisanal nature of its creation, subtle variations and air bubbles may occur making each table a one-of-a-kind statement piece. With its sculptural presence and impeccable craftsmanship, the Crown Table seamlessly integrates into both residential and commercial spaces, offering a timeless expression of modern simplicity.

### Specifications

COLOR . . . . . N/A  
BODY FINISH . . . . . Smoked Desert  
WATTAGE . . . . . N/A  
DIMMER . . . . . N/A  
DIMENSIONS . . . . . 21.65"W x 16.14"H  
BULB . . . . . N/A  
COUNTRY OF ORIGIN . . . . . China



Shown in smoked desert



CLICK TO VIEW PRODUCT

Notes: