

Lightology

lightology.com
866-954-4489
05-20-26

Project: _____

Company: _____

Location: _____ Fixture Type: _____

SPEC #: **1011491465**

Approved On: _____ Approved By: _____

Big Foot Leather Bench

By 101 Copenhagen

Description

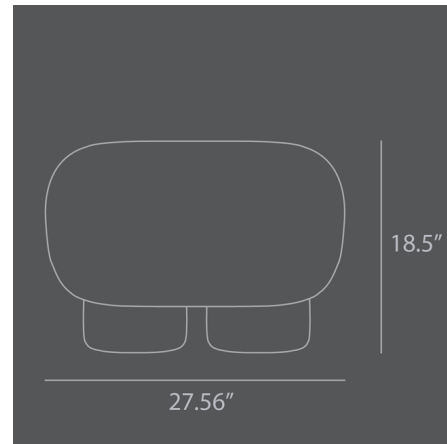
Introducing a new dimension to the Big Foot Bench, the bench is now available in an exquisite Italian Nubuck Leather from a tannery in the Veneto region. Crafted with meticulous attention to details, the aniline Nubuck Leather exudes a sense of elegance with its velvety texture and supple feel, inviting users to indulge in luxurious comfort. The Big Foot Collection, a nod to the 1970s futuristic design and the space age era, redefines seating with its array of sculptural benches and stools. Infused with the raw, unrefined charm of brutalist architecture and the finesse of contemporary sculpture, this collection stands out with its impactful design language. The pieces are a harmonious blend of functional design and luxurious comfort. Their unique shape distinguishes them, ensuring they are not just furniture, but a sculptural statement pieces in any interior. Whether placed in a contemporary living room, a lounge area, or a stylish office space, the Nubuck Leather version of the Big Foot Bench makes a bold statement, embracing any environment with an atmosphere of refined elegance.

Specifications

COLOR	N/A
BODY FINISH	Nubuck
WATTAGE	N/A
DIMMER	N/A
DIMENSIONS	27.56"W x 18.5"H
BULB	N/A
COUNTRY OF ORIGIN	China



Shown in nubuck



CLICK TO VIEW PRODUCT

Notes: