

Lightology

lightology.com
866-954-4489
06-17-26

Project: _____

Company: _____

Location: _____ Fixture Type: _____

SPEC #: **ART1491576**

Approved On: _____ Approved By: _____

Pausania Table Lamp

By Artemide

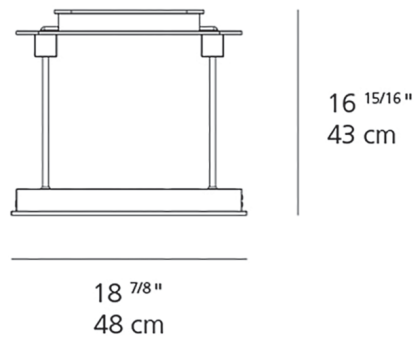


Description

The Pausania Table Lamp is a re-issue of Memphis-design master Ettore Sottsass's iconic 1983 design, updated with modern LED technology. Pausania reinterprets the classic banker's desk lamp with a boldly shaped, modern shade in black resin, green synthetic material, and an aluminum grille. The LED light source features Tunable White technology, allowing the color temperature of the light to be adjusted from warm 2700K to cool 6500K. Dimmer switch located on base.



Shown in black / green



Specifications

COLOR Green
BODY FINISH Black
WATTAGE 14W
DIMMER Included
DIMENSIONS 18.87"W x 16.93"H
INTEGRATED LED MODULE 1 x LED/14W/120V LED
COUNTRY OF ORIGIN Italy

Technical Information

LAMP LIFE 36300 hours
COLOR RENDERING 80 CRI
LAMP COLOR 2700K-6500K Tunable White
LUMENS/WATT 49.29
LUMINOUS FLUX 690 lumens



CLICK TO VIEW PRODUCT

Notes: