

Lightology

lightology.com
866-954-4489
06-29-26

Project: _____

Company: _____

Location: _____ Fixture Type: _____

SPEC #: **VIS150827**

Approved On: _____ Approved By: _____

Implode Wide Pendant

By Vistosi

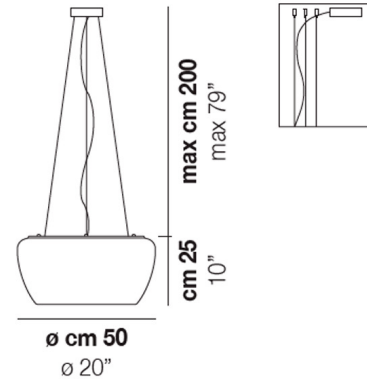


Description

The Implode SP 50 Suspension represents the illusion of a surface created by the implosion of a volume. The glass, due to its density, reveals the gradations of multiple layers of white crystal and transparent.



Shown in white / white



Specifications

COLOR White
BODY FINISH White
WATTAGE 24W
DIMMER Standard 120V
DIMENSIONS 20"W x 10"H
BULB NOT INCLUDED 3 x A19/Medium (E26)/8W/120V LED

Technical Information

PRODUCT DIMENSIONS Cable: 79"L



CLICK TO VIEW PRODUCT

Notes: