



**BRAND**

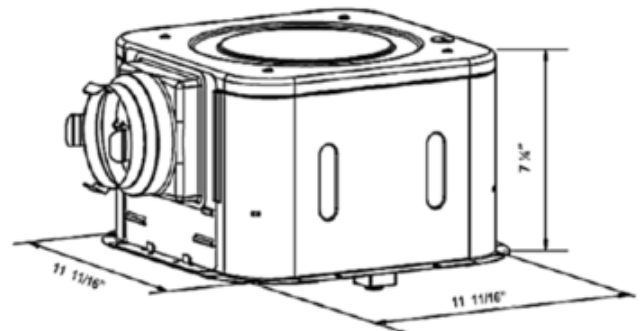
Aero Pure

**DESCRIPTION**

A716A MC Quiet Bathroom Exhaust Fan with Heater and Light in Matte Silver/Chrome finish features a rust proof steel fan housing unit with built in backdraft damper to prevent outdoor air from entering through fan. 4 inch diameter duct connection. Motor equipped with thermal shut off. Aluminum reflective coating prevents overheating and maximizes light output. Motor unit easily detaches from housing for wiring and installation. Includes easy installation adjustable mounting. Includes four 270 watt anti-blast infrared heat lamps. One 120 volt, 60 watt A-type medium base incandescent is required for center bulb, sold separately. The fan, light and heater can be wired separately. Dual heat settings - two or four lamps. Unit requires a dedicated 10 amp circuit. UL listed for use in insulated ceiling. Do not install directly above tub or shower. 90 CFM. 1.5 Sones. Grille dimensions 14.3 inches square. Housing dimensions 11.8 inches square x 7.2 inches high. Includes 4 year warranty.



<b>SHADE COLOR</b>	N/A
<b>BODY FINISH</b>	Matte Silver / Chrome
<b>WATTAGE</b>	1140W
<b>DIMMER</b>	Standard 120V
<b>DIMENSIONS</b>	11.8"W x 7.2"H x 11.8"D
<b>BULB INCLUDED</b>	
<b>LAMP</b>	4 x R40 IR/Medium (E26)/270W/120V Incandescent 1 x A19/Medium (E26)/60W/120V Incandescent



**SPEC #** AER151609

COMPANY	PROJECT	FIXTURE TYPE	APPROVED BY	DATE