

Lightology

lightology.com
866-954-4489
04-26-26

Project: _____

Company: _____

Location: _____ Fixture Type: _____

SPEC #: **INV1518411**

Approved On: _____ Approved By: _____

Oasis Pendant By Innovations Lighting



Description

The Oasis Pendant is a dome shaped pendant comprised of components that give the fixture a rustic coastal look.

Specifications

COLOR Natural
BODY FINISH Matte Black
WATTAGE 17W
DIMMER Standard 120V
DIMENSIONS 22"W x 11"H
BULB NOT INCLUDED 1 x A19/Medium (E26)/17W/120V LED
COUNTRY OF ORIGIN India

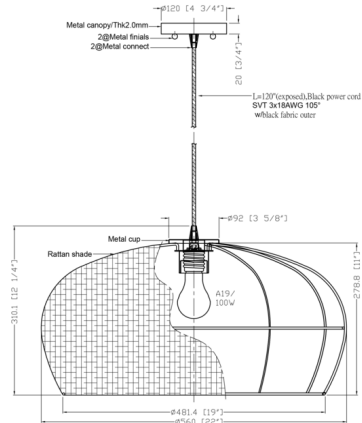
Technical Information

PRODUCT DIMENSIONS Cord Length: 120"

Notes:



Shown in matte black / natural



CLICK TO VIEW PRODUCT