

# Lightology

lightology.com  
866-954-4489  
06-04-26

Project: \_\_\_\_\_  
Company: \_\_\_\_\_  
Location: \_\_\_\_\_ Fixture Type: \_\_\_\_\_  
SPEC #: **SSA152225**  
Approved On: \_\_\_\_\_ Approved By: \_\_\_\_\_

## Barnacle Large Urchin Pendant

By Siemon & Salazar



### Description

The Barnacle Large Urchin Pendant brings a unique elegance to your interior space. Utilizing the way glass and light interact to refract warm shadows across your room. Extremely hot molten glass is manipulated by hand to create ridges and valleys. Made in California and signed by Caleb and Carmen. Note: Each piece is hand blown and shaped. No molds are used, and each glass shape is unique. Dimensions, weights, and color will vary slightly.

### Specifications

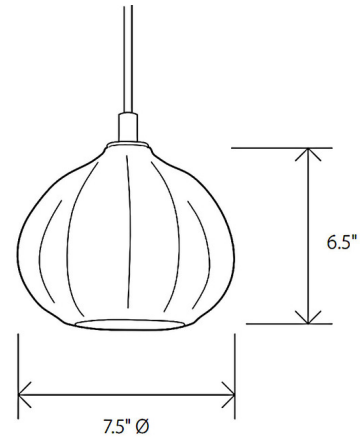
COLOR	Clear
BODY FINISH	Dark Bronze
WATTAGE	4W
DIMMER	Standard 120V
DIMENSIONS	7.5"W x 6.5"H
BULB INCLUDED	1 x G16.5/Candelabra (E12)/4W/120V LED
COUNTRY OF ORIGIN	United States

### Technical Information

PRODUCT DIMENSIONS	Adjustable Fabric Cord Length: 72"
COLOR RENDERING	90 CRI
LAMP COLOR	2700K
LUMENS/WATT	87.50
LUMINOUS FLUX	350 lumens



Shown in dark bronze / clear



CLICK TO VIEW PRODUCT

Notes: