

Lightology

lightology.com
866-954-4489
05-24-26

Project: _____

Company: _____

Location: _____ Fixture Type: _____

SPEC #: **VCG1522768**

Approved On: _____ Approved By: _____

Wimberley Bedside Adjustable Wall Light

By Visual Comfort Signature

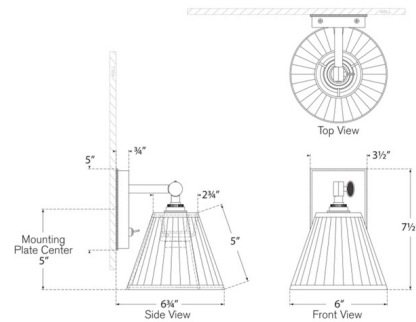


Description

The Wimberley Bedside Adjustable Wall Light combines a sleek metal plate and arm with the organic appeal of a natural wicker or fabric shade. The articulating shade can be adjusted to change light direction. With its casual style and glow of warm light, the Wimberley creates an inviting atmosphere in your space. On/Off switch is located on the backplate. Note: Fixture does not cover a standard US junction box and requires a 2 x 4 inch junction box. No White Wicker with a Polished Nickel finish.



Shown in polished nickel / blue linen pleated



Specifications

COLOR Blue Linen Pleated
 BODY FINISH Polished Nickel
 WATTAGE 5.5W
 DIMMER Standard 120V
 DIMENSIONS 6"W x 7.5"H x 6.75"D
 BULB NOT INCLUDED 1 x G16.5/Candelabra (E12)/5.5W/120V LED
 COUNTRY OF ORIGIN China



CLICK TO VIEW PRODUCT

Notes: