

Lightology

lightology.com
866-954-4489
07-01-26

Project: _____
 Company: _____
 Location: _____ Fixture Type: _____
 SPEC #: **VCG1522773**
 Approved On: _____ Approved By: _____

Wimberley Bedside Adjustable Wall Light

By Visual Comfort Signature

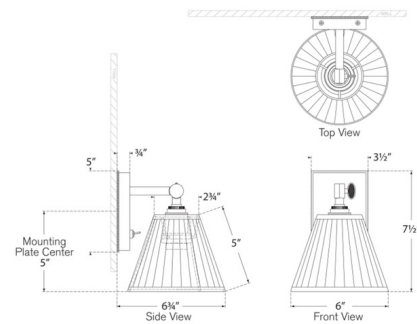


Description

The Wimberley Bedside Adjustable Wall Light combines a sleek metal plate and arm with the organic appeal of a natural wicker or fabric shade. The articulating shade can be adjusted to change light direction. With its casual style and glow of warm light, the Wimberley creates an inviting atmosphere in your space. On/Off switch is located on the backplate. Note: Fixture does not cover a standard US junction box and requires a 2 x 4 inch junction box. No White Wicker with a Polished Nickel finish.



Shown in soft brass / silk pleated



Specifications

COLOR	Silk Pleated
BODY FINISH	Soft Brass
WATTAGE	5.5W
DIMMER	Standard 120V
DIMENSIONS	6"W x 7.5"H x 6.75"D
BULB NOT INCLUDED	1 x G16.5/Candelabra (E12)/5.5W/120V LED
COUNTRY OF ORIGIN	China



CLICK TO VIEW PRODUCT

Notes: