

# Lightology

lightology.com  
866-954-4489  
07-06-26

Project: \_\_\_\_\_

Company: \_\_\_\_\_

Location: \_\_\_\_\_ Fixture Type: \_\_\_\_\_

SPEC #: **VCG1523075**

Approved On: \_\_\_\_\_ Approved By: \_\_\_\_\_

## Academy Outdoor Flynn Barn Savannah Conical Wall Light

By Visual Comfort Signature

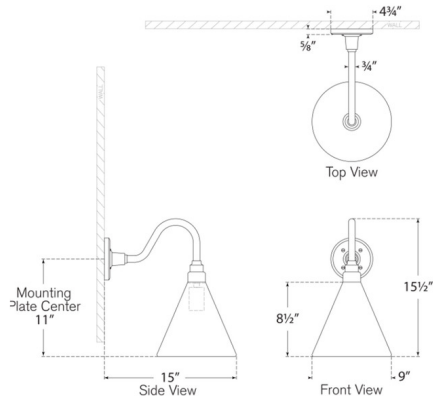


### Description

The Academy Outdoor Flynn Barn Savannah Conical Wall Light inspiration from the industrial fixtures once used to light barns, town halls, warehouses, and schoolhouses. Blending American, British, and French architectural influences. This fixture reimagines classic utilitarian design with a sleek, modern twist adding a warm and welcoming glow to your outdoor space from its arching arm.



Shown in matte black



### Specifications

COLOR	N/A
BODY FINISH	Matte Black
WATTAGE	15W
DIMMER	Standard 120V
DIMENSIONS	9"W x 15.5"H x 15"D
BULB NOT INCLUDED	1 x A19/Medium (E26)/15W/120V LED
COUNTRY OF ORIGIN	Philippines



CLICK TO VIEW PRODUCT

Notes: