

Lightology

lightology.com
866-954-4489
05-17-26

Project: _____
Company: _____
Location: _____ Fixture Type: _____
SPEC #: **WAC1523142**
Approved On: _____ Approved By: _____

LED Staff Color-Select Path Light By WAC Lighting



Description

The LED Staff Color-Select Path Light is the perfect outdoor landscape fixture. This light provides a soft area of illumination from the top bar. Use the included stake to install and stabilize the light. LED color selectable options include 2700K, 3000K, 3500K, 4000K, and 5000K. Requires a 12V Transformer.

Specifications

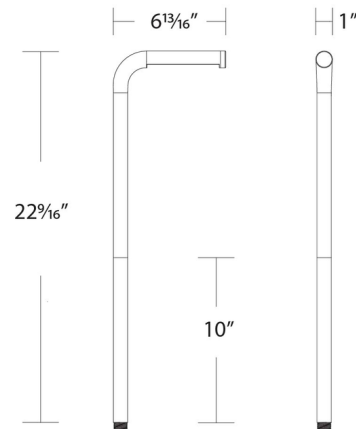
COLOR	N/A
BODY FINISH	Bronze
WATTAGE	4W
DIMMER	N/A
DIMENSIONS	6.68"W x 22.58"H
INTEGRATED LED MODULE	1 x LED/4W/12V LED
COUNTRY OF ORIGIN	Thailand

Technical Information

LAMP LIFE	50000 hours
COLOR RENDERING	80 CRI
LAMP COLOR	CCT Select
LUMENS/WATT	70.25
LUMINOUS FLUX	281 lumens



Shown in bronze



CLICK TO VIEW PRODUCT

Notes: