

Lightology

lightology.com
866-954-4489
07-01-26

Project: _____

Company: _____

Location: _____ Fixture Type: _____

SPEC #: **HUB1523455**

Approved On: _____ Approved By: _____

Henry Wall Sconce By Hubbardton Forge

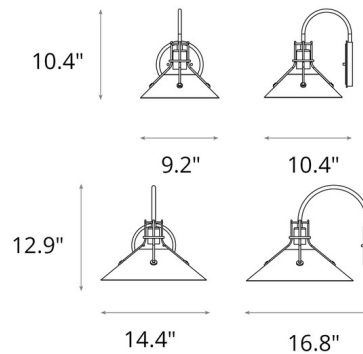


Description

The Henry Wall Sconce brings both style and function to your interior space. The open diffuser adds warm light in your room while the arched arm, with a steel claw, brings a classic industrial vibe to your room. Choose a Finish for the backplate, arm and socket, and choose an accent for the steel shade. Limited lifetime warranty when installed in a residential setting. Handcrafted to order by skilled artisans in Vermont, USA.



Shown in black / sterling



Specifications

COLOR	Sterling
BODY FINISH	Black
WATTAGE	17W
DIMMER	Standard 120V
DIMENSIONS	9.2"W x 10.4"H x 10.4"D
BULB NOT INCLUDED	1 x A19/Medium (E26)/17W/120V LED
COUNTRY OF ORIGIN	United States



CLICK TO VIEW PRODUCT

Notes: