

Lightology

lightology.com
866-954-4489
07-01-26

Project: _____

Company: _____

Location: _____ Fixture Type: _____

SPEC #: **HUB1523565**

Approved On: _____ Approved By: _____

Henry Glass Wall Sconce By Hubbardton Forge

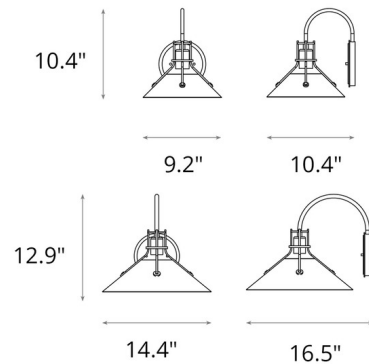


Description

The Henry Glass Wall Sconce brings both style and function to your interior space. The open glass diffuser adds warm light in your room while the arching arm, with a steel claw, brings a classic industrial vibe to your room. Limited lifetime warranty when installed in a residential setting. Handcrafted to order by skilled artisans in Vermont, USA.



Shown in oil rubbed bronze / frosted



Specifications

COLOR	Frosted
BODY FINISH	Oil Rubbed Bronze
WATTAGE	17W
DIMMER	Standard 120V
DIMENSIONS	9.2"W x 10.4"H x 10.4"D
BULB NOT INCLUDED	1 x A19/Medium (E26)/17W/120V LED
OTHER BULB OPTIONS	A19/Medium (E26)/60W/120V Incandescent
COUNTRY OF ORIGIN	United States



CLICK TO VIEW PRODUCT

Notes: