

# Lightology

lightology.com  
866-954-4489  
04-16-26

Project: \_\_\_\_\_  
Company: \_\_\_\_\_  
Location: \_\_\_\_\_ Fixture Type: \_\_\_\_\_  
SPEC #: **HUB1523802**  
Approved On: \_\_\_\_\_ Approved By: \_\_\_\_\_

## Shield Short Floor Lamp By Hubbardton Forge



### Description

The Shield Floor Lamp draws its form from the protective Roman scutum. Two substantial plates of heavily forged steel are gently curved to shape the design. The larger, colored back plate curves vertically into a concave surface, illuminated by a slimmer, vertically curved outer plate that stands slightly forward, concealing the LED element from view. A discreet dimmer pole is positioned behind the larger shield. Choose a finish for the base and small plate and choose an accent color for the large decorative plate. Lifetime Limited Warranty when installed in residential setting. Handcrafted by skilled artisans in Vermont, USA.

### Specifications

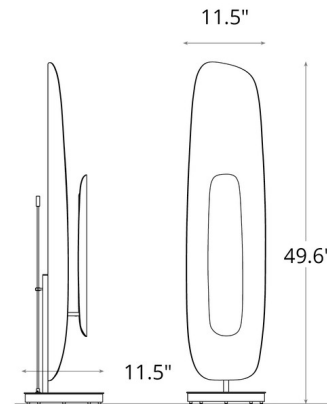
COLOR	Modern Brass
BODY FINISH	Oil Rubbed Bronze
WATTAGE	18W
DIMMER	Included
DIMENSIONS	11.5"W x 49.6"H
INTEGRATED LED MODULE	1 x LED/18W/120-277V LED
COUNTRY OF ORIGIN	United States

### Technical Information

PRODUCT DIMENSIONS	Cord: 96"
LAMP LIFE	25000 hours
COLOR RENDERING	90 CRI
LAMP COLOR	3000K
LUMENS/WATT	69.44
LUMINOUS FLUX	1250 lumens



Shown in oil rubbed bronze / modern brass



CLICK TO VIEW PRODUCT

Notes: