

# Lightology

lightology.com  
866-954-4489  
07-09-26

Project: \_\_\_\_\_  
Company: \_\_\_\_\_  
Location: \_\_\_\_\_ Fixture Type: \_\_\_\_\_  
SPEC #: **HUB1524357**  
Approved On: \_\_\_\_\_ Approved By: \_\_\_\_\_

## Union Table Lamp By Hubbardton Forge



### Description

The Union Table Lamp introduces a bold silhouette to your interior space. Its body features gently shaped steel paired with an upper half of forged steel encased in clear glass, forming a striking union of two contrasting elements. Topped with a drum shaped Natural Anna fabric shade, it casts warm, ambient light that softly fills your room. On/Off switch is located on the lamp socket. Choose a finish for the base and lower steel portion and choose a Color for the upper steel portion in the glass. Lifetime Limited Warranty when installed in residential setting. Handcrafted to order by skilled artisans in Vermont, USA.

### Specifications

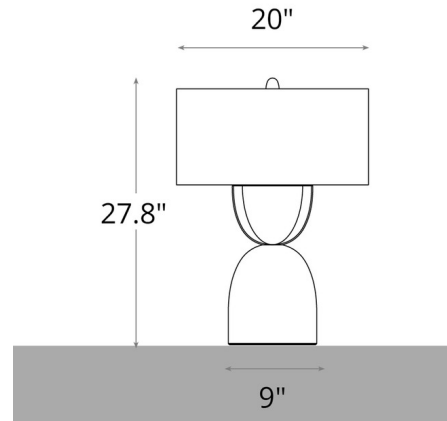
COLOR	Clear Steel
BODY FINISH	Dark Smoke
WATTAGE	17W
DIMMER	N/A
DIMENSIONS	20"W x 27.8"H
BULB NOT INCLUDED	1 x A19/Medium (E26)/17W/120V LED
OTHER BULB OPTIONS	A19/Medium (E26)/60W/120V Incandescent
COUNTRY OF ORIGIN	United States

### Technical Information

PRODUCT DIMENSIONS	Cord: 72"
--------------------	-----------



Shown in dark smoke / clear steel



CLICK TO VIEW PRODUCT

Notes: