

# Lightology

lightology.com  
866-954-4489  
07-01-26

Project: \_\_\_\_\_

Company: \_\_\_\_\_

Location: \_\_\_\_\_ Fixture Type: \_\_\_\_\_

SPEC #: **HNM1525149**

Approved On: \_\_\_\_\_ Approved By: \_\_\_\_\_

## Constellation Hanging Wall Sconce - Overstock

By hollis+morris

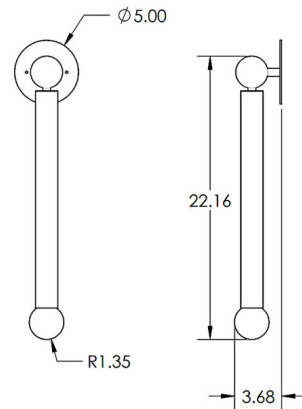


### Description

The Constellation Hanging Wall Sconce is inspired by the stars of the night sky. The metal sphere of the backplate has a cylindrical wood branch that is capped by a single glass orb that casts a warm glow of light across your room.



Shown in white oak / brushed brass



### Specifications

COLOR	Brushed Brass
BODY FINISH	White Oak
WATTAGE	3.5W
DIMMER	Standard 120V
DIMENSIONS	5"W x 22.16"H x 3.68"D
BULB INCLUDED	1 x JCD/G9/3.5W/120V LED
COUNTRY OF ORIGIN	Canada

### Technical Information

LAMP COLOR	3000K
LUMENS/WATT	128.57
LUMINOUS FLUX	450 lumens



CLICK TO VIEW PRODUCT

Notes: